

WIRING AND MOUNTING INSTRUCTIONS



- WARNING:** RISK OF ELECTRIC SHOCK.
MULTIPLE POWER SUPPLIES MAY BE IN-USE.
TURN OFF **ALL** POWER SUPPLIES WHEN INSTALLING OR
SERVICING THIS ENCLOSURE.
- NOTICE:** FOR INSTALLATION ONLY BY A QUALIFIED ELECTRICIAN IN
ACCORDANCE WITH THE NATIONAL ELECTRICAL CODE (NEC), CANADIAN
ELECTRIC CODE (CEC), APPLICABLE LOCAL CODES, INSTRUCTIONS ON THIS
PAGE AND WIRING INSTRUCTIONS DETAILED WITHIN THE ENCLOSURE.
- NOTICE:** MAKE SURE ALL DEVICES HAVE THE PROPER ELECTRICAL RATING FOR THE
SYSTEM ON WHICH THEY ARE INSTALLED AND FOR THEIR INTENDED USE.
- NOTICE:** WIRE SIZE AND TYPE MUST COMPLY WITH LOCAL ELECTRICAL CODES.
- NOTICE:** USE COPPER CONDUCTORS ONLY.
- NOTICE:** SEPARATE OVERCURRENT PROTECTION MUST BE PROVIDED IN ACCORDANCE
WITH NATIONAL ELECTRIC CODE ARTICLE 220 AND CANADIAN ELECTRICAL
CODE, SECTION B, AS APPROPRIATE. OVERCURRENT RATING MUST NOT
EXCEED THE AMPERE RATING OF THE RESPECTED DEVICE.
- NOTICE:** **UNIT IS NOT GROUNDED.** METAL HUBS OR CONDUIT FITTINGS ENTERING THE
ENCLOSURE MUST BE ELECTRICALLY CONNECTED.
- NOTICE:** USE A LISTED/CERTIFIED CONDUIT HUB WITH ENVIRONMENTAL RATING
EQUIVALENT OR BETTER TO RATING OF ASSEMBLED ENCLOSURE.
- WARNING:** TO AVOID FIRE, SHOCK OR DEATH: MAKE SURE CONNECTED EQUIPMENT
RATINGS DO NOT EXCEED THE RATING OF UTILIZED DEVICE.

AMAXX[®]

by MENNEKES

MOUNTING:

MOUNT UNIT ON A SECURE, FLAT VERTICAL SURFACE WITH RECEPTACLE DEVICES FACING DOWN. (hardware not provided)

SEE DIAGRAMS TO DETERMINE OVERALL MOUNTING DIMENSIONS.

AMAXX ENCLOSURES HAVE EXTERNAL MOUNTING FEET MOLDED ON END WALLS OF BOTTOM BOX. REFER TO DIAGRAM FOR FOOTPRINT REQUIREMENT AND MOUNTING BOLT RECOMMENDATION.

TO OPEN ENCLOSURE:

FULLY LOOSEN BLACK COVER SCREWS (DO NOT REMOVE). PULL UP ON COVER AND SWING BOX OPEN.

TO CLOSE ENCLOSURE:

SWING COVER OVER BOTTOM BOX AND ALIGN COVER SCREWS TO MOUNTING TUBES. TIGHTEN COVER SCREWS 18 LB-IN. (2 N.m)

MODULE PLATES- REMOVAL AND INSTALLATION

NOTICE: MODULE PLATES HAVE TWO RETAINING CLIPS WHICH ARE ENGAGED TO RECEIVING CLIPS ON THE UNDERSIDE OF COVER. (NOT APPLICABLE TO WINDOW MODULE) THREE MOLDED ALIGNMENT TABS ARE LOCATED ON BOTTOM EDGE OF ALL MODULE PLATES.

REMOVAL:

FULLY LOOSEN 3 STAINLESS STEEL FIXING SCREWS, TAKE CARE NOT TO DISCARD SCREWS. SWING OPEN ENCLOSURE COVER TO REVEAL RETAINING CLIPS ON MODULE PLATE. USE SCREW DRIVER TO RELEASE CLIPS FROM RECEIVER PIECE.

FROM INSIDE OF ENCLOSURE, PUSH MODULE PLATE THROUGH OPENING. PULL UP ON PLATE TO RELEASE MODULE ALIGNMENT TABS FROM ENCLOSURE COVER.

INSTALLING MODULE PLATE:

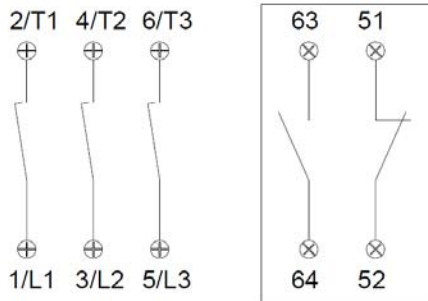
ALIGN MODULE PLATE TO RESPECTED OPENING AND INSERT 3 ALIGNMENT TABS INTO INDENTS AT BOTTOM OF OPENING. LAY PLATE FLAT AND PUSH DOWN ON PLATE (RIGHT AND LEFT SIDES) UNTIL RETAINING CLIPS "SNAP" INDICATING ENGAGEMENT.

INSTALL 3 ST. STL. FIXING SCREWS- TIGHTEN SCREWS 11 LB.-IN. (1.2N.m)

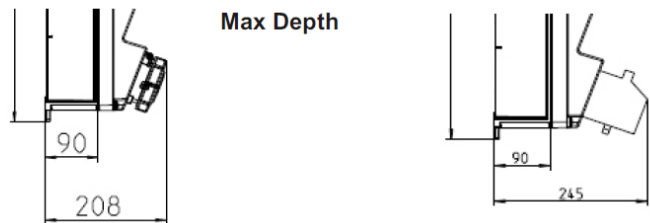
Wiring Diagrams

For Assemblies with Interlocked Receptacles

20A, 30A Interlock
3 Pole Switch with Aux Contacts

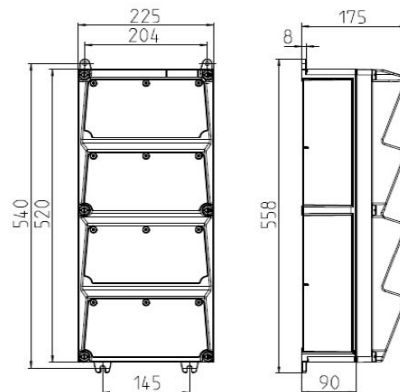


Optional
AUXILIARY CONTACTS
Ratings: 10A 600VAC



Module with
30A Interlock

Module with
In-Use Cover



DIMENSIONS in mm

Mounting Hole Diameter 7mm

Recommended Bolt Size: ¼"