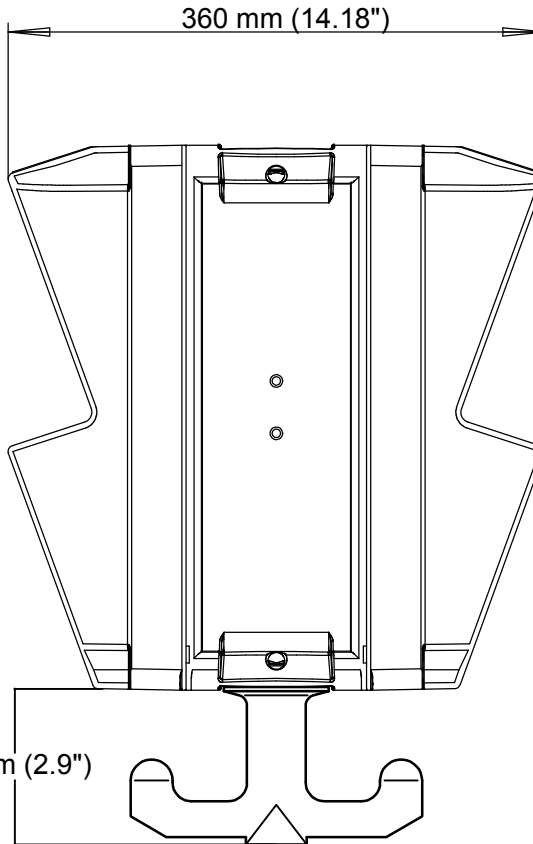
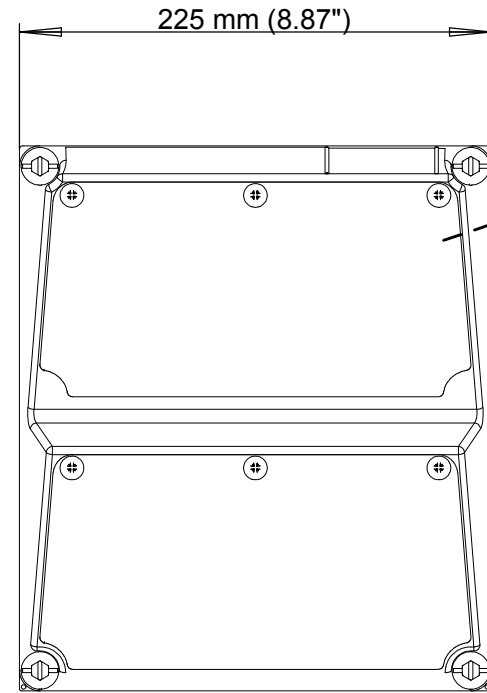


Suspended AMAXX
Front View



74mm (2.9")



Blank plate (typ)

Suspended AMAXX
Rear View

Confidential and proprietary of MENNEKES Elektrotechnik. Disclosure of any confidential/proprietary information contained in this document without any written permission of MENNEKES Elektrotechnik is strictly prohibited. Protective note of ISO 16016.

This is a general arrangement drawing based upon information provided at the inquiry stage. Whilst, in the event of an order, we will endeavour to maintain the initial design, amendments to supply cables, etc. may necessitate changes in layout in order to maintain compliance with EN60439.

Index	Date:	Inspected by:	Inspection remark:	Created:	12_12_2017
					R.P. Nimeth, PE
				I. Change:	-
					-

MENNEKES®

Page description:
Layout & Wiring Diagram

Customer Approval Signature:		
Company:		
Name:	Date	
Title:		
Part. No.:	AMX7A	
Order:	Page: 1	Prev.: -
	Of: 1	Next: -