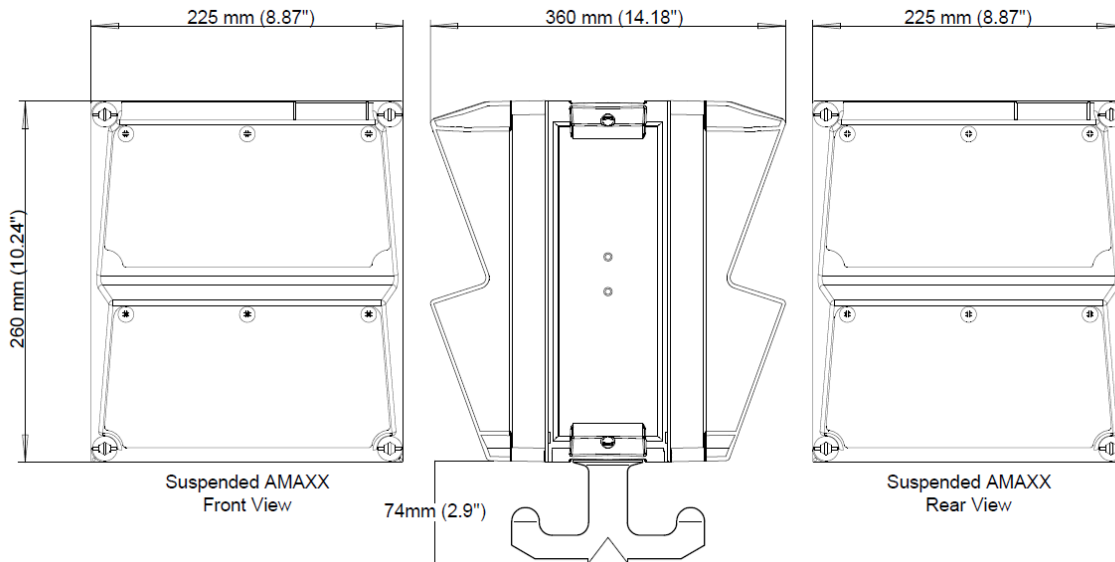


QUOTATION WORKSHEET

**COMPLETE FORM BELOW WITH YOUR REQUIRED DEVICES FOR EACH MODULE.
CHOOSE FROM LIST OR CONTACT US FOR A COMPLETE RANGE OF OPTIONS:**

- Pin and Sleeve Receptacles - 20A & 30A in standard voltages for 3 Wire, 4 Wire and 5 Wire
- Switched and Interlocked Pin and Sleeve Receptacles; 20A & 30A for standard voltages and wire configurations
- Disconnect Switches – 20A, 30A or 40A with Auxiliary contacts
- Convenience Outlets – WP or Type 4X
- GFCI Outlets – WP or Type 4X Protected
- NEMA Locking Devices – WP or Type 4X
- Breakers – 1 Module position per completed unit, 10 Poles Max
- Fusing – CC Only
- Blank Plate (for your own customization)



Front Top Module Requirement:

Rear Top Module Requirement:

Front Bottom Module Requirement:

Rear Bottom Module Requirement:

Please note: Ampere rating and product type may require installation in specific module location. An AMAXX specialist will assist with final selection and design. Please fax form to 973-882-5585 or email to info@MENNEKES.COM for a quotation or further information.