

The Ultimate in Clean.

For processing areas where sanitation is a concern, MENNEKES® offers the SPEC Grade Series of NEMA 4X Stainless Enclosures. All units feature a 15° sloped roof, which facilitates runoff of liquids and cleaning residue, to minimize risk of contaminant harborage.

SPEC Grade by MENNEKES®

The SPEC Grade series of products is uniquely designed to provide a compact solution for critical washdown and clean room areas. All SPEC Grade products are UL Listed, rated NEMA 4X, and feature a 15° sloped roof for runoff. Enclosures are available in multiple sizes and are sold as blank junction boxes, pre-drilled for pushbutton devices, or with installed receptacles or motor disconnect switches. You can also customize your own power distribution system using our SpecMAXX series.



The SPEC Grade Motor Disconnect Switches are offered in 25A-100A in 6 sizes to provide for flexibility in design and budgets. All models have high visibility padlockable handles which comply with OSHA LO/TO regulations. Switches meet code requirements for “suitable as a motor disconnect” and come standard with early break auxiliary contacts for VFD and starter interface.

SPEC Grade Switched and Interlocked Receptacles are an industry first. Units are available in 20A and 30A IEC 60309 Receptacle Configurations for compatibility with like rated plugs. Receptacle and switch are factory wired; patented interlock mechanism assures “NO LOAD” make and break of plug connected equipment for operator safety.

Create a custom power distribution center in a sloped top stainless enclosure with our SpecMAXX solution. Choose from various receptacles and motor disconnects; add overcurrent protection if needed. With standard and customizable plate options, the possibilities are endless.

SPEC Grade Enclosure Features:

- UL Listed, NEMA 4X; 12
- 15° Sloped roofs to facilitate run-off of liquids
- 304 Stainless Steel with low RA value finish
- Generous drainage channel to impede harborage of contaminants
- Shrouded to minimize damage to cover mounted components
- Generous wiring space facilitates installation
- Sealed fixing holes for flush rear-wall mounting
- Ground stud provided
- Removable cover with captive hardware



Applications:

- Food and beverage manufacturing
- Meat and dairy processing
- Conveyors
- Paper and pulp plants
- Pharmaceutical industry
- Heavy hose-down areas
- Harsh or corrosive environments



SPEC Grade Series - Motor Disconnects



Compliances and Performance:

- "Suitable as Motor Disconnect" per 2002 NEC Article 430-109(a)(6)
- UL Standard 508
- UL to CSA 22.2 No. 14-M95
- Environmental: UL Type 4X; 12
- UV Resistance: Handle Material is UV Stabilized
- In-House Endurance Testing: 10,000 Electrical Cycles/100,000 Mechanical Cycles
- SCCR - 65kA RMS Symmetrical when protected with equally sized Class J Fuse

| Ampere Rating (General Purpose) | HP Ratings | | | | Catalog No. (with Aux. Contacts) | Replacement Switch Block |
|------------------------------------|------------|----|----------|----|-------------------------------------|-----------------------------|
| | 240V | | 480/600V | | | |
| | 1Ø | 3Ø | 1Ø | 3Ø | | |

Switch Block is Mounted to Cover

| | | | | | | |
|-----|-----|---|---|----|-----------------|--------------|
| 30A | 2.5 | 5 | 5 | 10 | ME 30SLP1A-M2 | ME 30XST1-M2 |
| 30A | 2.5 | 5 | 5 | 10 | ME 30SLP1A-M2V2 | ME 30XST1-M2 |

Switch Block is Mounted to DIN Rail

| | | | | | | |
|------|-----|-----|-----|----|-----------------|---------------|
| 25A | 1.5 | 3 | 3 | 5 | ME 20SLP2A-M2 | ME 20XLP2-M2 |
| 30A | 2.5 | 5 | 5 | 10 | ME 30SLP2A-M2 | ME 30XSLP-M2 |
| 30A | 2.5 | 5 | 5 | 10 | ME 30SLP2A-M2V2 | ME 30XSLP-M2 |
| 40A | 3 | 7.5 | 7.5 | 15 | ME 40SLP2A-M2 | ME 40XSLP-M2 |
| 60A | 3 | 10 | 10 | 20 | ME 60SLP2A-M2 | ME 60XSLP-M2 |
| 100A | 15 | 25 | 30 | 50 | ME 100SLP3A-M2 | ME 100XSLP-M2 |
| 100A | 20 | 40 | 30 | 75 | ME 100SLP4A-M2 | ME 125XMS3-M2 |

6 Pole Disconnects

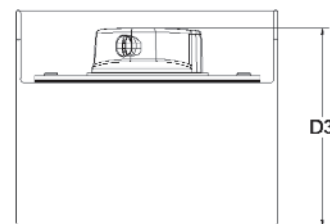
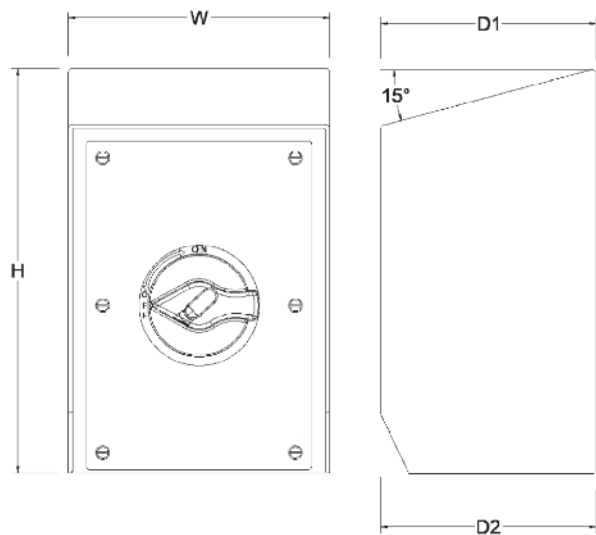
| | | | | | | |
|-----|-----|---|---|----|----------------|--|
| 30A | 2.5 | 5 | 5 | 10 | ME 306SLP2A-M2 | |
| 30A | 2.5 | 5 | 5 | 10 | ME 306SLP3A-M2 | |

Auxiliary Contacts - 10 A @ 600 Vac 1 N/O & 1 N/C

Optional Mounting Accessory: Stainless Steel Plate with 3/4" Stands-Offs

Approximate Dimensions (in inches)

| | Switch Block is Mounted to Cover | | | Switch Block is Mounted to DIN Rail | | |
|----|----------------------------------|----------|-------|-------------------------------------|-------|-------|
| | SLP1A | SLP1A-V2 | SLP2A | SLP2A-V2 | SLP3A | SLP4A |
| D1 | 4.50 | 4.50 | 6.20 | 5.30 | 6.20 | 7.10 |
| D2 | 3.70 | 3.70 | 6.20 | 4.50 | 6.20 | 6.30 |
| D3 | 5.20 | 5.20 | 6.00 | 6.00 | 6.00 | 7.75 |
| H | 5.70 | 7.60 | 8.90 | 8.00 | 11.70 | 14.70 |
| W | 4.70 | 4.70 | 6.80 | 6.50 | 7.50 | 13.20 |



Visit www.MENNEKES.com for spec sheets and mechanical drawings.

SPEC Grade Series - Switched and Interlock Receptacles

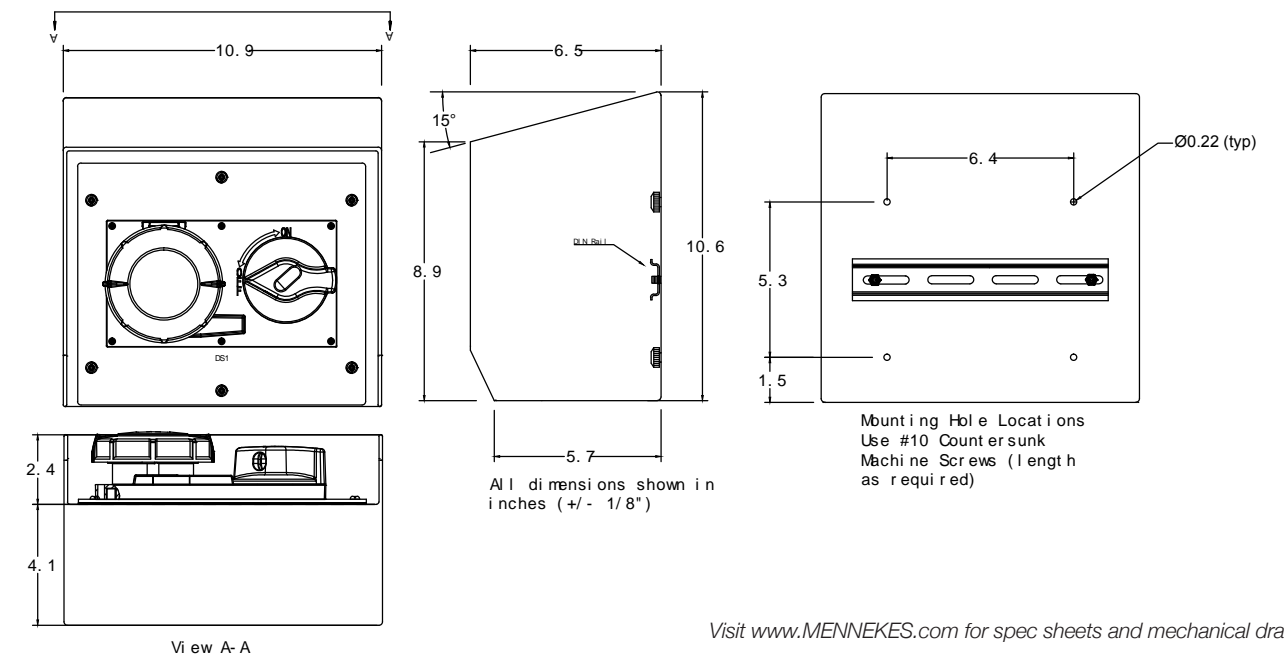


Compliances and Performance:

- UL Standard 508; Industrial Control Equipment
- UL to CSA 22.2 No. 4-M91
- UL Standards 1682; 1686 - Plugs and Receptacles, Pin and Sleeve Style
- IEC 60309-1; IEC 60309-2
- Environmental: UL Type 4X; 12
- SCCR - 65kA RMS Symmetrical when protected with equally sized Class J Fuse
- UL Endurance Test: 10,000 Electrical Cycles, 15,000 Mechanical Cycles

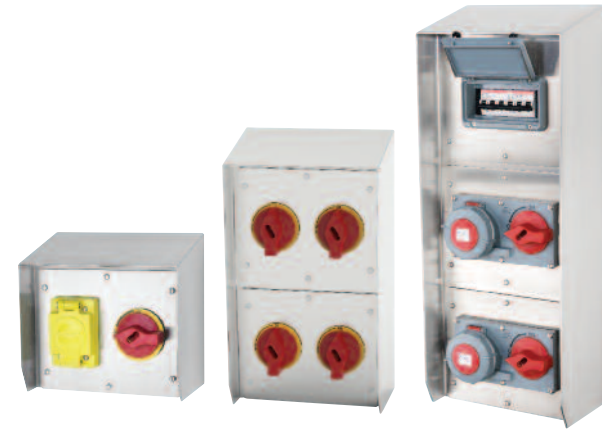
| Amp | Configuration | Voltage | HP Rating Standard | Receptacle Catalog No. | Mating Plug Catalog No. | |
|----------------|----------------|----------------|--------------------|------------------------|-------------------------|------------|
| 20A | 2 Pole, 3 Wire | 125 | 0.75 | ME 320SLPMI4 | ME 320P4W | |
| | | 250 | 1.5 | ME 320SLPMI6 | ME 320P6W | |
| | | 3 Pole, 4 Wire | 125/250 | 0.75; 1.5 | ME 420SLPMI12 | ME 420P12W |
| | | | 3Ø250 | 3 | ME 420SLPMI9 | ME 420P9W |
| | 3Ø480 | | 7.5 | ME 420SLPMI7 | ME 420P7W | |
| | 4 Pole, 5 Wire | 3ØY120/208 | 3 | ME 520SLPMI9 | ME 520P9W | |
| | | 3ØY277/480 | 7.5 | ME 520SLPMI7 | ME 520P7W | |
| | | 3ØY347/600 | 7.5 | ME 520SLPMI5 | ME 520P5W | |
| | | | 7.5 | ME 520SLPMI5 | ME 520P5W | |
| | 30A | 2 Pole, 3 Wire | 125 | 1.5 | ME 330SLPMI4 | ME 330P4W |
| | | | 250 | 3 | ME 330SLPMI6 | ME 330P6W |
| | | 3 Pole, 4 Wire | 125/250 | 1.5; 3 | ME 430SLPMI12 | ME 430P12W |
| 3Ø250 | | | 7.5 | ME 430SLPMI9 | ME 430P9W | |
| 3Ø480 | | | 15 | ME 430SLPMI7 | ME 430P7W | |
| 3Ø600 | | | 15 | ME 430SLPMI5 | ME 430P5W | |
| 4 Pole, 5 Wire | | 380-440 | 10 | ME 432SLPMI3 | ME 432P3W-2175 | |
| | | 3ØY120/208 | 7.5 | ME 530SLPMI9 | ME 530P9W | |
| | | | 3ØY277/480 | 15 | ME 530SLPMI7 | ME 530P7W |
| | | | 3ØY347/600 | 15 | ME 530SLPMI5 | ME 530P5W |

Optional Mounting Accessory: Stainless Steel Plate with 3/4" Stands-Offs



Visit www.MENNEKES.com for spec sheets and mechanical drawings.

SpecMAXX Series Custom Power Distribution



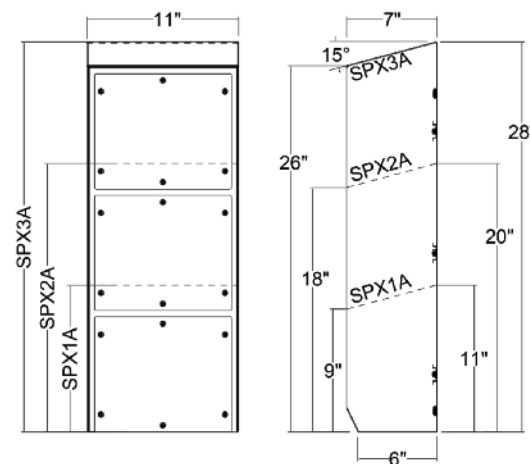
Choose from 3 enclosure sizes and unlimited combinations of devices. Many components are in-stock and ready to ship. Below are some standard configurations or contact us with your requirements and we will design and quote a unit made to order.

Compliances and Features of Enclosures

- UL Listed Standards 50 & 50E; CSA 22.2 No. 94
- 304 Stainless Steel; NEMA 4X; 12
- One Piece Punched Gasket
- Sealed Fixing Holes
- 15° Sloped roofs to facilitate run-off of liquids
- Generous drainage channel
- Shrouded design minimizes component damage

With SpecMAXX, the possibilities are endless.

| Catalog Number | Module 1 | Module 2 | Module 3 |
|----------------|----------------------------------------------------------------------------------------------|-------------------------------------------------------------|-------------------------------------------------------------|
| SPX1A-619006 | 2 x 30A 600V 10HP Motor Disconnect Switches | | |
| SPX1A-619014 | 1 x NEMA L16-30R 30A 4W 480V Type 4X Receptacle 1 x 30A 600V 10HP Motor Disconnect Switch | | |
| SPX1A-619018 | 2 x NEMA 5-20R 20A 3W 120V Duplex Receptacles with WP Covers | | |
| SPX2A-629006 | 1 x 420PMI7 20A 4W 480V Switched and Interlocked Receptacle | 1 x 420PMI7 20A 4W 480V Switched and Interlocked Receptacle | |
| SPX2A-629007 | 2 x 30A 600V 10HP Motor Disconnect Switches | 2 x 30A 600V 10HP Motor Disconnect Switches | |
| SPX2A-629018 | 1 x 40A 600V 15HP Motor Disconnect Switch; 1 x 60A 600V 20HP Disconnect Switch | 2 x 30A 600V 10HP Motor Disconnect Switches | |
| SPX3A-639008 | Window Module with Access to 2 x 30A 3P 480V MCB's | 1 x 430PMI7 30A 4W 480V Switched and Interlocked Receptacle | 1 x 430PMI7 30A 4W 480V Switched and Interlocked Receptacle |
| SPX3A-639011 | 1 x 430PMI7 30A 4W 480V Switched and Interlocked Receptacle | 1 x 430PMI7 30A 4W 480V Switched and Interlocked Receptacle | 1 x 430PMI7 30A 4W 480V Switched and Interlocked Receptacle |
| SPX3A-639012 | 2 x 60A 600V 20HP Motor Disconnect Switches | 2 x 30A 600V 20HP Motor Disconnect Switches | 2 x 30A 600V 20HP Motor Disconnect Switches |



Device Options

Switched and Interlocked Receptacles

- Pin & Sleeve Style, 20A & 30A in multiple voltages

Motor Disconnects

- 25A – 60A; rated 5-20HP

Overcurrent Protection

- Hinged access to circuit breakers or fusing

Various Receptacles

- Choose from Pin and Sleeve, NEMA, or GFCI options

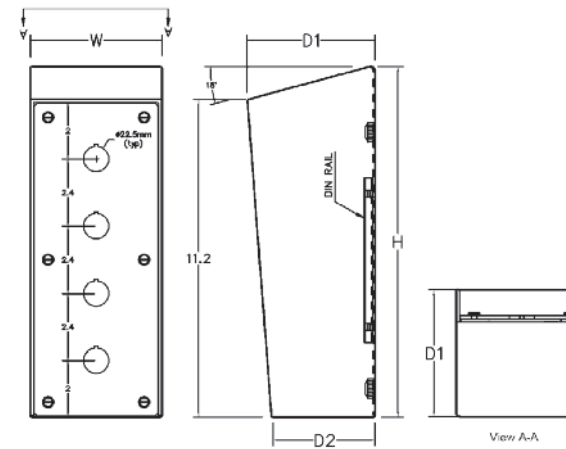
Visit www.MENNEKES.com for spec sheets and mechanical drawings.

Pushbutton Enclosures



Compliances and Performance:

- UL Listed to UL 50/50E - CSA 22.2 No. 94
- Type 4X, 12, 3R and IP69K



| Number of Holes | Hole Size (mm) | Catalog Number |
|-----------------|----------------|----------------|
| 1 | 22.5 | SLPB1A |
| 1 | 30.5 | SLPB1A-30.5 |
| 2 | 22.5 | SLPB2A |
| 2 | 30.5 | SLPB2A-30.5 |
| 3 | 22.5 | SLPB3A |
| 3 | 30.5 | SLPB3A-30.5 |
| 4 | 22.5 | SLPB4A |
| 4 | 30.5 | SLPB4A-30.5 |

Optional Mounting Accessory: Stainless Steel Plate with 3/4" Stands-Offs

Approximate Dimensions (in inches)

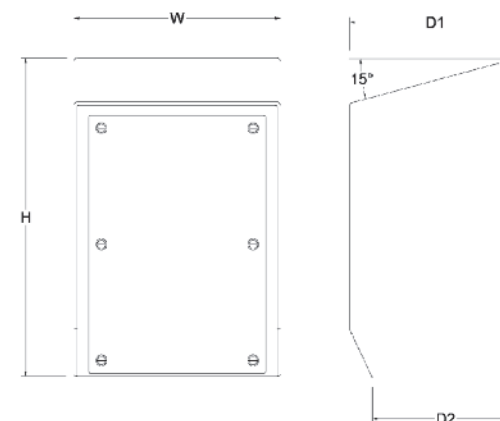
| | Catalog No. | | | |
|-----------|-------------|--------|--------|--------|
| | SLPB1A | SLPB2A | SLPB3A | SLPB4A |
| D1 | 4.50 | 4.50 | 4.50 | 4.50 |
| D2 | 3.70 | 3.70 | 3.70 | 3.70 |
| H | 5.70 | 7.60 | 10.00 | 12.30 |
| W | 4.70 | 4.70 | 4.70 | 4.70 |
| #PB HOLES | 1 | 2 | 3 | 4 |

Blank Junction Boxes



Compliances and Performance:

- UL Listed to UL 50/50E - CSA 22.2 No. 94
- Type 4X, 12, 3R and IP69K



| Size | Catalog Number |
|------------|----------------|
| Small | SLP1A-BLK |
| Medium | SLP2AV2-BLK |
| Large | SLP3A-BLK |
| Horizontal | SLPMI-BLK |

Approximate Dimensions (in inches)

| | Catalog No. | | | |
|----|-------------|-------------|-----------|-----------|
| | SLP1A-BLK | SLP2AV2-BLK | SLP3A-BLK | SLPMI-BLK |
| D1 | 4.50 | 5.30 | 6.20 | 6.50 |
| D2 | 3.70 | 4.40 | 5.40 | 5.70 |
| H | 5.70 | 8.00 | 11.70 | 10.60 |
| W | 4.70 | 6.40 | 7.50 | 10.90 |



Visit www.MENNEKES.com for spec sheets and mechanical drawings.



MY POWER CONNECTION

MENNEKES

Electrical Products

277 Fairfield Road
Fairfield, NJ 07004

Tel: (800) 882-7584

Fax: (973) 882-5585

Email: info@MENNEKES.com

Internet: www.MENNEKES.com



www.MENNEKES.com