

# MENNEKES *LockOUT-LET*

## PIN & SLEEVE INTERLOCKED RECEPTACLE

### INFORMATION

LockOUT-LET devices feature a pin & sleeve receptacle prewired to a load rated disconnect switch. The receptacle is interlocked requiring the switch to be in the OFF position to insert or remove a like rated plug. The enclosure is rated NEMA 4X;12 for both indoor and outdoor use. The switch handle has a padlock provision as a method of compliance to OSHA Lockout/Tagout Regulations.

### READ BEFORE INSTALLING ANY *LockOUT-LET* DEVICE

**WARNING:** TURN OFF ALL POWER SUPPLIES TO RECEPTACLE BEFORE INSTALLING OR SERVICING.

**NOTICE:** Suitable for use on a circuit capable of delivering not more than 10,000 RMS symmetrical amperes at the voltage rating of the receptacle.

**NOTICE:** Separate overcurrent protection must be provided.

**NOTICE:** USE COPPER CONDUCTORS ONLY with a 75° min. insulation rating. Size conductors for 75° ampacity.

**CAUTION:** UNIT IS NOT GROUNDED. Hubs entering the enclosure must be electrically connected to a grounding terminal block.

### TO REMOVE OR REPLACE COVER

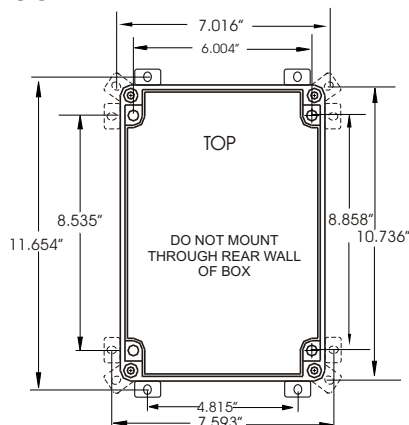
Fully loosen screws (do not remove) located in four corners of cover. Pull top of cover away from bottom box and slide down. To replace cover, reverse above procedure. Slight wiggle of cover and switch handle may be needed to position cover.

**DO NOT FORCE. SWITCH MUST BE IN OFF POSITION TO REPLACE COVER.**

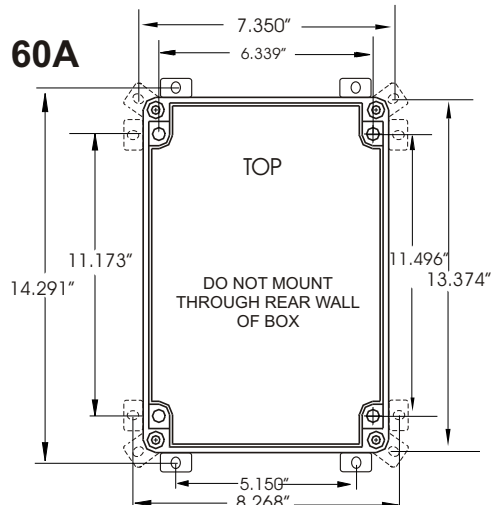
### MOUNTING

- SEE DIAGRAMS BELOW for mounting dimensions and installation of mounting feet.
- Enclosure can be mounted with either external mounting feet (attach using rear rivets) or direct mounted through mounting tubes (located near cover rivets in corners).
- Screws recommended for direct mounting: #10.
- Mount unit on a secure flat vertical surface with the receptacle facing down.
- Tighten four cover screws 25 lb-in. DO NOT OVER TORQUE.

**30A**



**60A**



**SEE SEPARATE CONDUIT CONNECTION AND GROUNDING INSTRUCTIONS IN GROUND/HUB KIT.**

# WIRING INSTRUCTIONS & COMPONENTS LIST

## Factory Installed:

1. Receptacle pre-wired to switch.
2. Neutral (blue) terminal block (Diagrams I, IV, V)
3. Two grounding terminal blocks. (green/yellow)
4. Receptacle ground wire. (green/yellow)
5. Neutral (blue) wire. (Diagrams I, IV, V)

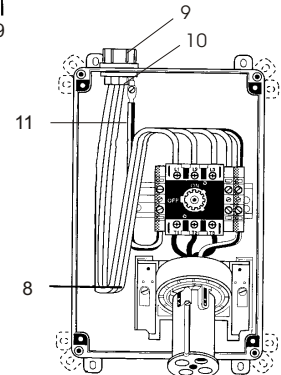
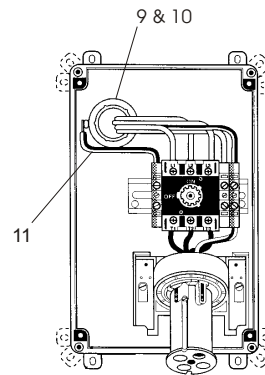
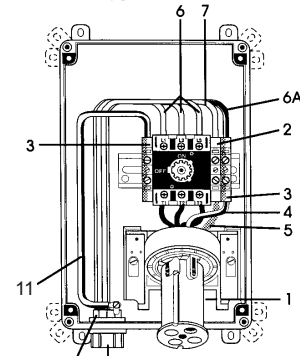
## Customer Provided & Installed:

6. Phase conductors and (6A) equipment grounding if present.
7. Neutral conductor if present.
8. Recommended condensation drip loop for top feed installations.

## Grounding & Hub Kit: (requires customer installation)

9. Conduit Hub.
10. Hub grounding nut.
11. Ground wire "pigtail". (green/yellow)

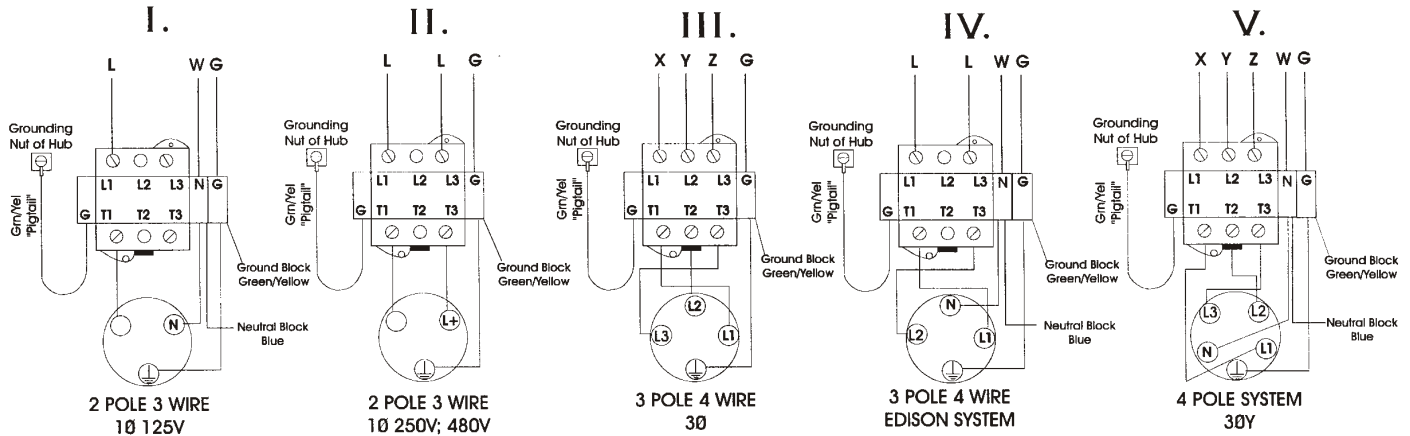
## Bottom Feed



## Back Feed

## Top Feed

## SELECT DIAGRAM CORRESPONDING TO RECEPTACLE RATING



### TERMINAL SPECIFICATION

PHASE

NEUTRAL/GROUND

AUXILIARY

### 30A

#10 TO #6 AWG

#10 TO #6 AWG

#12 AWG

### TORQUE

13-16 in.-lb.

20 in.-lb.

4-5 in.-lb.

### 60A

#6 to #2 AWG

#10 to #6 AWG

#12 AWG

### TORQUE

27 in.-lb.

50 in.-lb.

7 in.-lb.

Specifications Subject to Change.

Copyright 2004 Mennekes Electronics, Inc.

 **MENNEKES**

277 Fairfield Road

Fairfield, NJ 07004

800-882-7584