


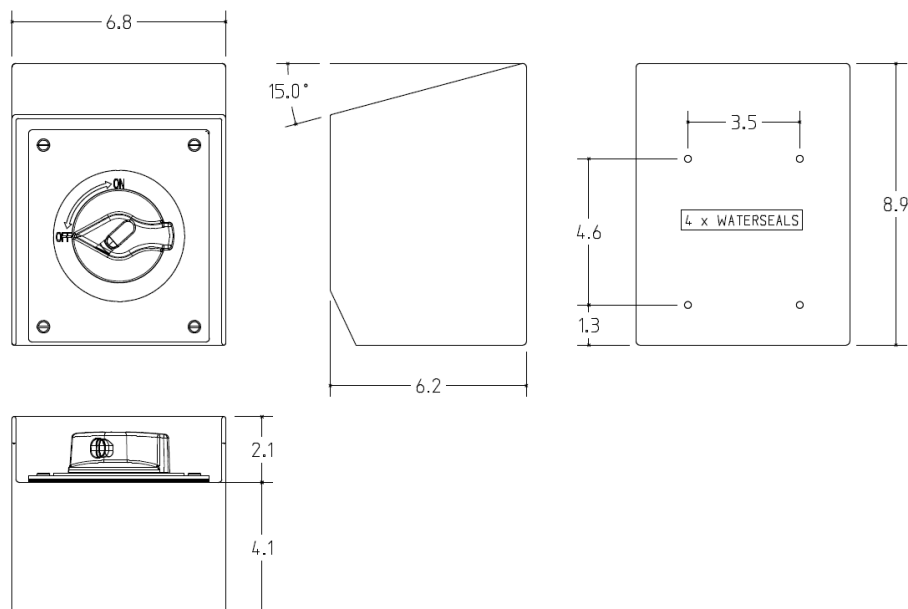
MENNEKES
 Electrical Products
 277 Fairfield Road
 Fairfield, NJ 07004
 800-882-7584
 www.MENNEKES.com

SPEC GRADE STAINLESS DISCONNECT SWITCH

Part No.	ME 20SLP2A-M2
Description:	25 Amp 3Ø 600Vac Motor Disconnect with Early Break Aux Contacts - 1 N/O; 1 N/C
Construction:	IP 66/69 - Type 4X; 12
Compliance:	 UL Standard 508 and CSA C22.2 No.14-10
Short Circuit Current Rating (SCCR):	Suitable for use as a Motor Disconnect per NEC 430-109 (a)(6) @ 65,000 RMS Symmetrical Amps up to 600 VAC Max when protected with 40A Class J Fuses, permitting usage at full amperage rating of the switch.

HP RATINGS:

1Ø	3 Ø		
240V	240V	480V	600V
3	7.5	15	20



Drawing Not to Scale