


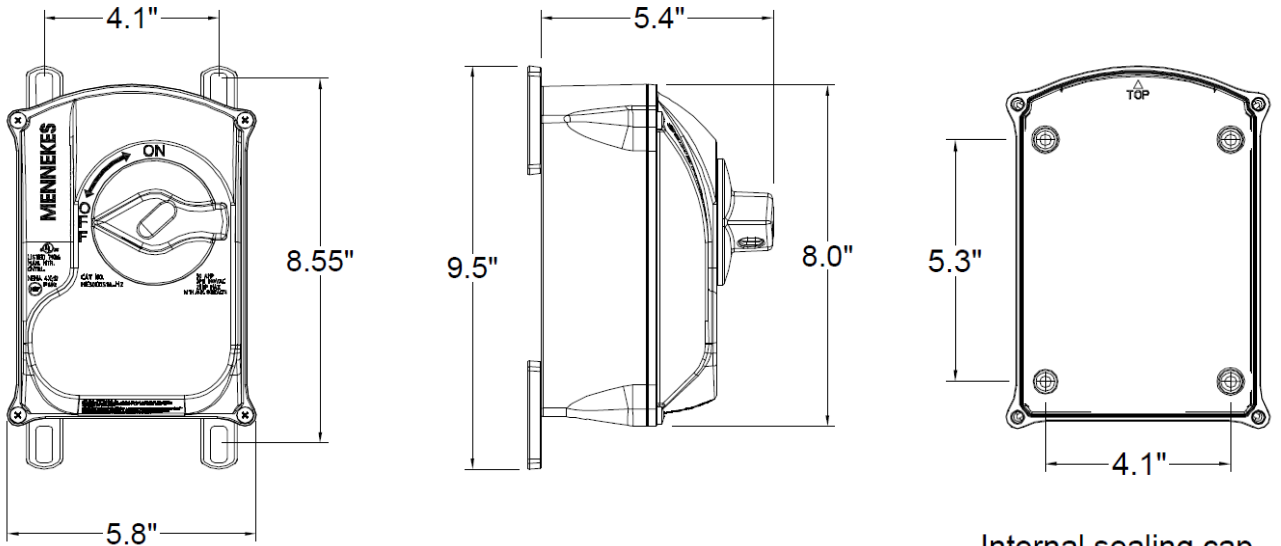
MENNEKES  
 Electrical Products  
 277 Fairfield Road  
 Fairfield, NJ 07004  
 800-882-7584  
 www.MENNEKES.com

**CDS SERIES NON-METALLIC DISCONNECT SWITCH**

<b>Part No.</b>	ME 30CDS1A-M2
<b>Description:</b>	30 Amp 3Ø 600Vac Motor Disconnect with Early Break Aux Contacts - 1 N/O; 1 N/C
<b>Construction:</b>	NEMA Type 4X; 12, IP69K, NSF Certified
<b>Compliance:</b>	 Standard 508 and CSA C22.2 No.14-M95
<b>Short Circuit Current Rating:</b>	Suitable for use as a Motor Disconnect per NEC 430-109 (a)(6) @65,000 RMS Symmetrical Amps up to 600 VAC Max when protected with 40A Class J Fuses, permitting usage at full amperage rating of the switch

**HP RATINGS:**

1 Ø	3 Ø		
	240V	480V	600V
	5	10	20



Internal sealing cap mounting dimensions

Drawing Not to Scale