


MENNEKES  
 Electrical Products  
 277 Fairfield Road  
 Fairfield, NJ 07004  
 800-882-7584  
 www.MENNEKES.com

### HDI DISCONNECT SWITCH

**Part No.** ME 30MS1A-M2

**Description:** 30 Amp 3Ø 600Vac Motor Disconnect with Early Break Aux Contacts - 1 N/O; 1 N/C

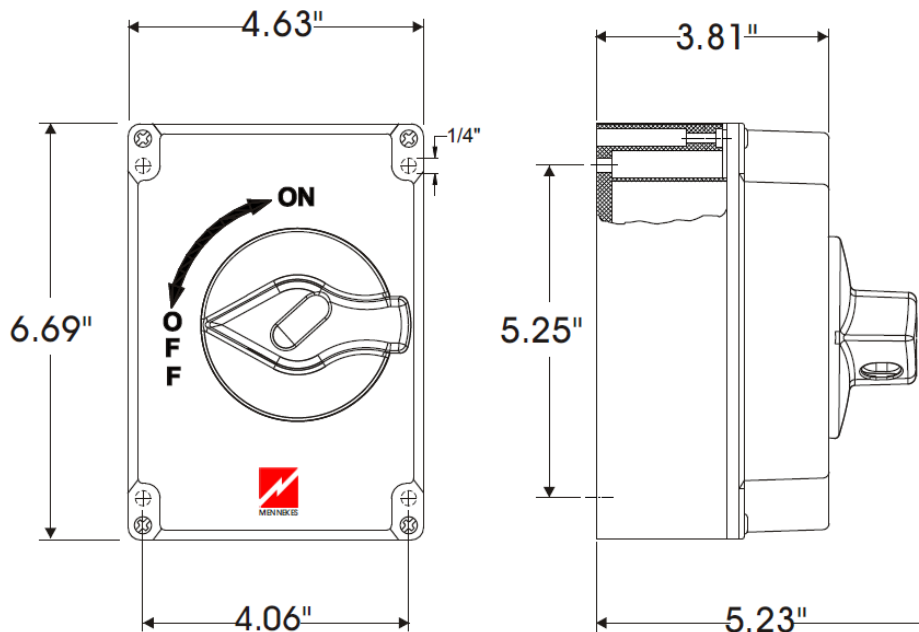
**Construction:** NEMA 4X; 12

**Approvals:**  to UL Standard 508 and CSA C22.2 No.14-10

**Short Circuit Current Rating (SCCR):** Suitable for use as a Motor Disconnect per NEC 430-109 (a)(6) @ 65,000 RMS Symmetrical Amps up to 600 VAC Max when protected with 60A Class J Fuses, permitting usage at full amperage rating of the switch.

**HP RATINGS:**

3 Ø		
240V	480V	600V
7.5	15	15



Drawing Not to Scale