


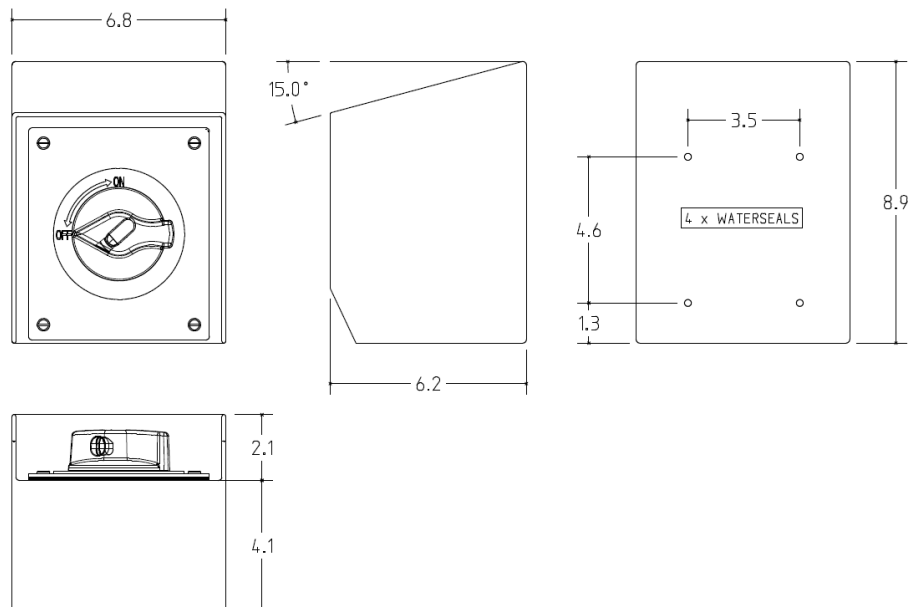
MENNEKES  
 Electrical Products  
 277 Fairfield Road  
 Fairfield, NJ 07004  
 800-882-7584  
 www.MENNEKES.com

### SPEC GRADE STAINLESS DISCONNECT SWITCH

<b>Part No.</b>	ME 60SLP2A-M2
<b>Description:</b>	60 Amp 3Ø 600Vac Motor Disconnect with Early Break Aux Contacts - 1 N/O; 1 N/C
<b>Construction:</b>	IP 66/69 - Type 4X; 12
<b>Compliance:</b>	 UL Standard 508 and CSA C22.2 No.14-10
<b>Short Circuit Current Rating (SCCR):</b>	Suitable for use as a Motor Disconnect per NEC 430-109 (a)(6) @ 65,000 RMS Symmetrical Amps up to 600 VAC Max when protected with 70A Class J Fuses, permitting usage at full amperage rating of the switch.

**HP RATINGS:**

<b>1 Ø</b>	<b>3 Ø</b>		
240V	240V	480V	600V
7.5	15	30	40



Drawing Not to Scale