

## WIRING AND MOUNTING INSTRUCTIONS FOR SLP2A SPEC GRADE DISCONNECT SWITCHES

**NOTICE:**

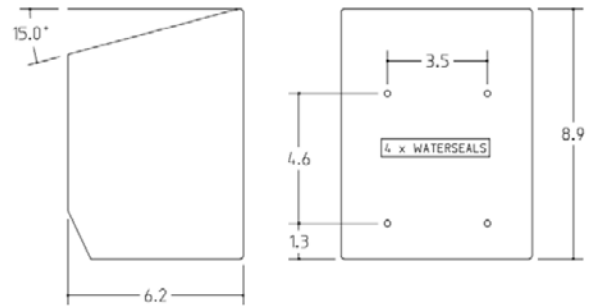
1. Turn off power feed to switch before installing or servicing
2. This unit provides no over current protection
3. Select conductors in accordance with the 75°C column of Ampacity Table 310-16 of the NEC

**To Remove and Replace Front Cover**

Fully loosen cover screws (Do not Remove) located in four corners of plate. Pull cover away from bottom box. To replace cover\* reverse above procedure with operator handle in OFF position. Slight wiggle of cover and switch handle may be needed to position cover. Tighten cover screws 18 lb-in. Do Not Over Torque. (\*Before replacing, connect cover ground wire to ground stud positioned on end wall of bottom box.)

**Mounting with Rear Fixing Holes**

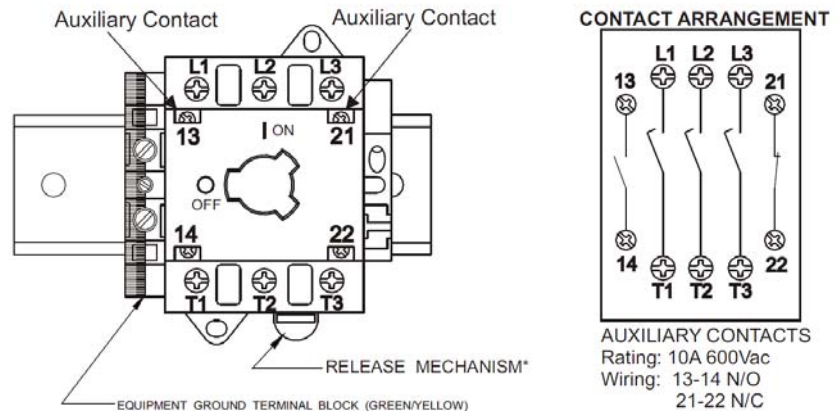
1. Position Box Upright using ON/OFF as Reference.
2. Locate 4 fixing holes positioned on rear wall of bottom box.
3. Remove NEMA 4X waterseal caps with 5/16" (M8) allen head key.
4. Mount unit on Secure Flat Vertical Surface with 1/4" – 5/16" countersunk screws. (Consult factory if optional mounting plate with threaded standoffs is preferred for installation)
5. Reinstall waterseal caps and tighten 18 lb-in. to maintain UL Type 4X rating.
6. Reinstall cover.



All Dimensions +/- 1/8"

## WIRING DIAGRAM SPEC GRADE DISCONNECT SWITCHES

**FOR: ME20SLP2A-M2  
ME30SLP2A-M2  
ME40SLP2A-M2  
ME60SLP2A-M2**



\*If needed – pull down with screwdriver in slot. Tilt upward on load side of switch to release.

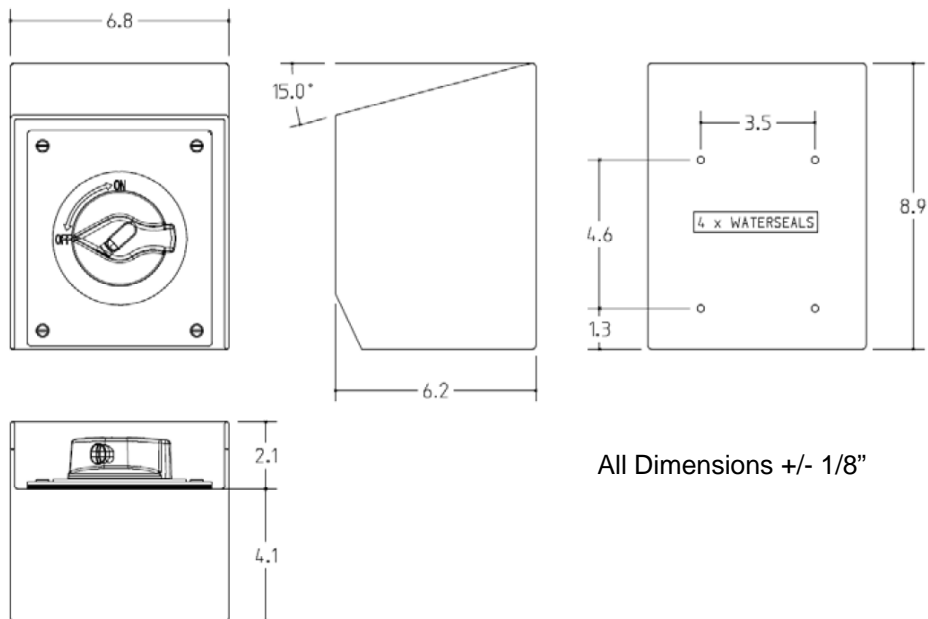
## WIRING AND MOUNTING INSTRUCTIONS FOR SLP2A SPEC GRADE DISCONNECT SWITCHES

### Terminal Specifications

	25Amp & 30Amp	Torque	40Amp & 60Amp	Torque
Switch	#10 AWG	13-16 lbs./in.	#8-6 AWG	13-16 lbs./in.
Ground	#12-10 AWG	20 lbs./in.	#10-8 AWG	20 lbs./in.
Auxiliary	#14 AWG	4 lbs./in.	#12 AWG	7 lbs./in.

### HP Ratings

Catalog No.	AMP	240V		480/600V	
		1 Ø	3Ø	1 Ø	3Ø
ME 20SLP2A-M2	25	1.5	3	3	5
ME 30SLP2A-M2	30	2.5	5	5	10
ME 40SLP2A-M2	40	3	7.5	7.5	15
ME 60SLP2A-M2	60	5	10	10	20



All Dimensions +/- 1/8"