

SpecMAXX QUOTATION WORKSHEET

Name/Company: _____

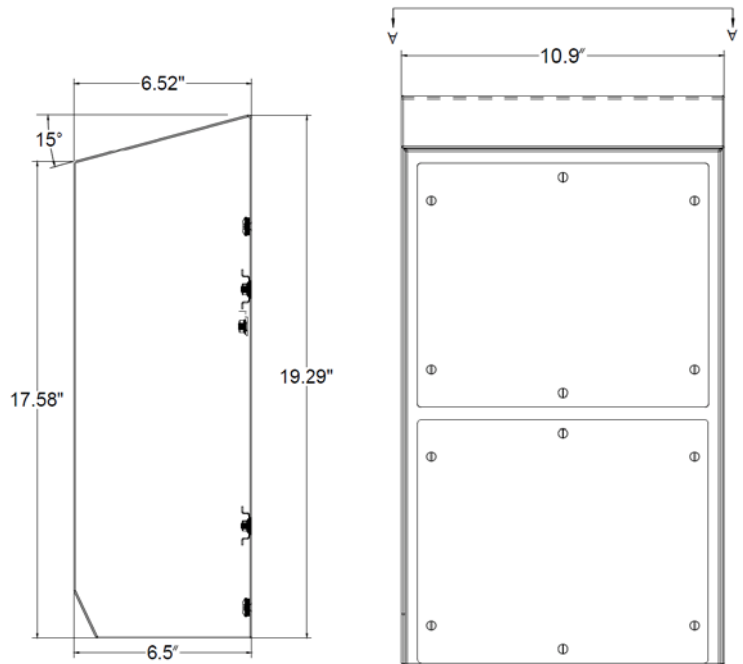
Contact me at: _____

**COMPLETE FORM BELOW WITH YOUR REQUIRED DEVICES FOR EACH MODULE.
CHOOSE FROM LIST OR CONTACT US FOR A COMPLETE RANGE OF OPTIONS:**

- Pin and Sleeve Receptacles - 20A, 30A, 60A in standard voltages for 3 Wire, 4 Wire & 5 Wire
- Switched and Interlocked Pin and Sleeve Receptacles; 20 & 30A in standard voltages and wire configurations
- Disconnect Switches -30A, 40A or 60A with Auxiliary contacts
- NEMA 4X Convenience & GFCI Outlets
- NEMA 4X Locking Devices
- Breakers with Access Window
- Blank Plate (for your own customization)

Module 1 Requirement:

Module 2 Requirement:



Please note: Ampere rating and product type may require installation in specific module location. A SpecMAXX specialist will assist with final selection and design.

Please fax form to 973-882-5585 or email to info@MENNEKES.COM for a quotation or further information.